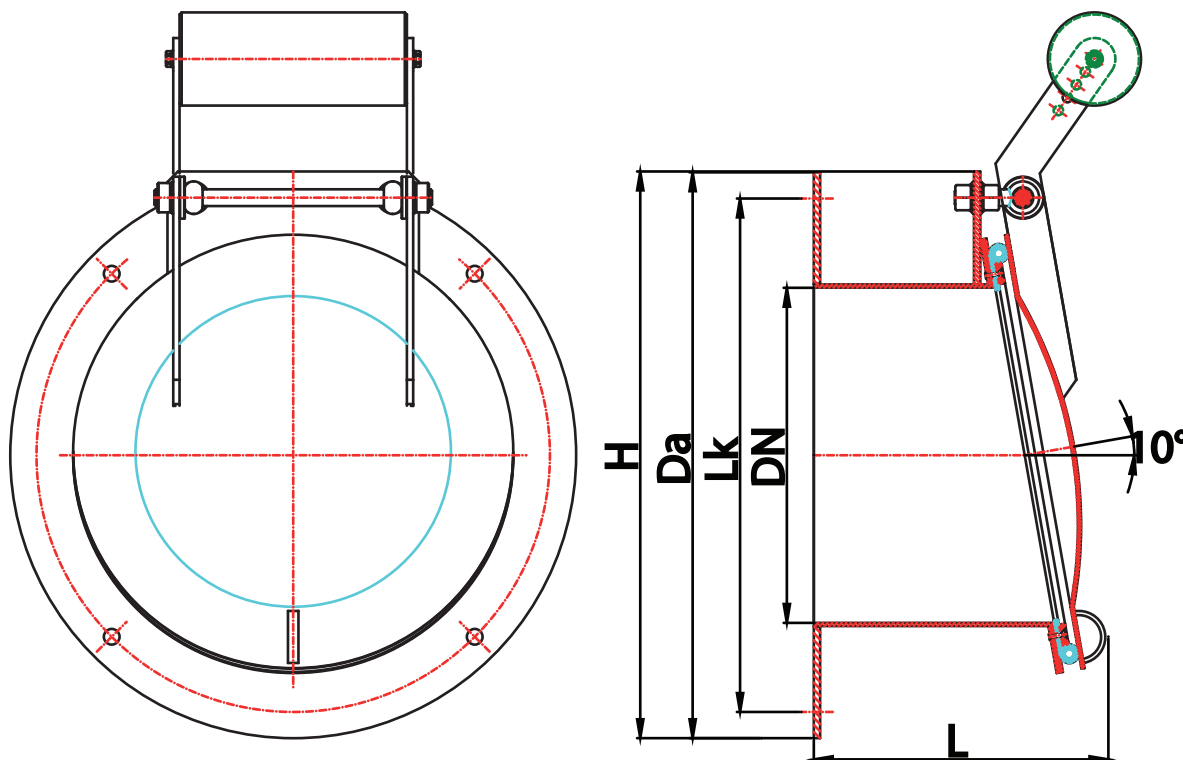


7 Kłapa zwrotna końcowa - Non-return valves - Clapet de retenue

wg DIN 19569-4 klasa 3 - according DIN 19569-4 Class 3 - fabriqué du norme DIN 19569-4 classe 3

7.122



| | | | | | | | | | | | | | | | |
|----|-----|-----|-----|-----|-----|-----|-----|-----|-----|-----|------|------|------|------|---|
| DN | 150 | 200 | 250 | 300 | 350 | 400 | 450 | 500 | 600 | 700 | 800 | 900 | 1000 | 1200 | < 1200 |
| L | 180 | 190 | 200 | 220 | 220 | 230 | 250 | 300 | 320 | 350 | 400 | 500 | 600 | 800 | na zapytanie on request sur demande |
| H | 350 | 360 | 380 | 540 | 600 | 620 | 680 | 740 | 820 | 900 | 1040 | 1120 | 1300 | 1540 | |
| Lk | 300 | 350 | 400 | 500 | 560 | 580 | 640 | 700 | 780 | 860 | 1000 | 1080 | 1230 | 1480 | |
| Da | 330 | 380 | 430 | 540 | 600 | 620 | 680 | 740 | 820 | 900 | 1040 | 1120 | 1280 | 1540 | |

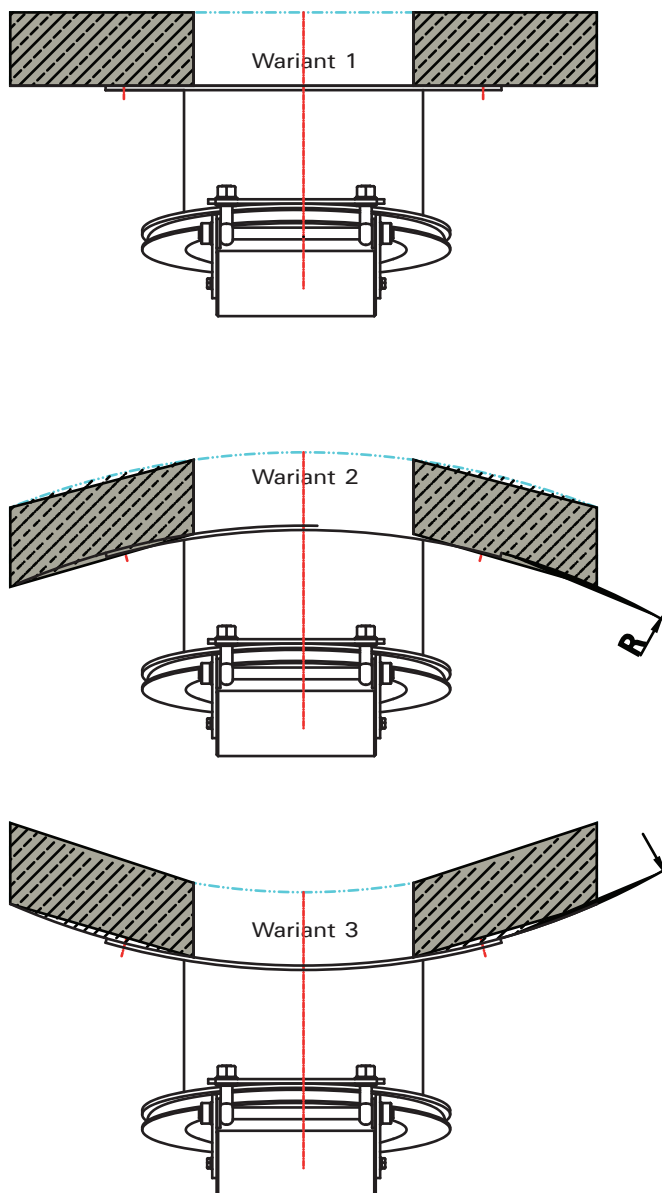
Material Material Matériau

| | | | | | | |
|---|--|--------|--------|--------|------|--|
| Rama Frame Cadre | ST 37 | 1.4301 | 1.4571 | AlMg 3 | HDPE | |
| Płyta Plate Plaque | ST 37 | 1.4301 | 1.4571 | AlMg 3 | HDPE | |
| Uwagi Comment Remarques | HDPE i inna kombinacja materiałów możliwe na zapytanie plastic HDPE and material combination are available on request plastique HDPE et combinaison de matériau livrable sur demande | | | | | |
| Zabezpieczenie powierzchni Coating Traitement de couche | Gruntowane Icosit Aktivprimer 50 µm; każde inne zabezpieczenie powierzchni jest możliwe undercoating with Icosit Aktivprimer 50 µm; -on request every coating is possible primaire avec Icosit Aktivprimer 50 µm; toute autre finition sur demande | | | | | |
| Uszczelka Seal Composé | Płyta gumowa z EPDM/APTK; - na zapytanie: Viton, Teflon multi-fold profile rubber EPDM/APTK; -on request: Viton, Teflon caoutchouc en feuilles EPDM/APTK; -sur demande: Viton, Teflon | | | | | |

7 Kłapa zwrotna końcowa · Non-return valves · Clapet de retenue

wg DIN 19569-4 klasa 3 · according DIN 19569-4 Class 3 · fabriqué du norme DIN 19569-4 classe 3

Dane do zamawiania/Wycięcia · Ordering Information / Openings · Données de commande / Évidements



| | | | | | | | | |
|-------------------------------|-----------------|---|-------|--------|-------------------|---|-------|--------|
| Kłapa zwrotna BAP 7. | DN | = | | mm | | | | |
| Non-return valve BAP 7. | k | = | | mm | | | | |
| Clapet de retenue BAP 7. | | | | | | | | |
| Ciśnienie wody z | PV = przodu | = | | bar | Pr = tyłu | = | | bar |
| Water pressure on | PV = face | = | | bar | Pr = back | = | | bar |
| Pression hydraulique de | PV = face avant | = | | bar(s) | Pr = fave arrière | = | | bar(s) |
| Material | Rama | = | | | Płyta | = | | |
| Material | Frame | = | | | Plate | = | | |
| Matériau | Cadre | = | | | Plaque | = | | |